



### DESCRIPTION

The E+E EE23 series Humidity and Temperature Transmitter has been developed for high-precision measurement of relative humidity and temperature.

EE23 Series transmitters are available for wall and duct mounting with or without the snap inmounting kit, which allows a quick and easy exchange of the transmitter. Outputs can be selected between voltage and current.

A special protection coating for the sensing element permits the permanent use in very polluted environments.

### FEATURES

- Humidity and temperature calibration
- NEMA 4 housing
- Stainless steel sintered filter
- Optional alarm switch
- Optional display

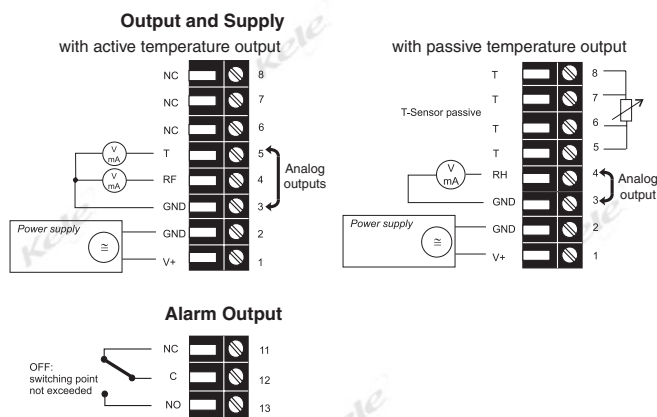
### APPLICATION

- Green houses
- Storage rooms
- Swimming halls
- Meteorology

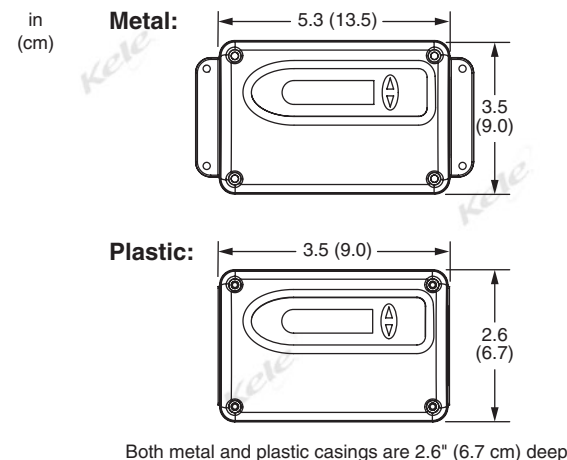
### SPECIFICATIONS

|                                 |  |
|---------------------------------|--|
| <b>Accuracy</b>                 |  |
| <b>Humidity</b>                 | ±1.3%, ≤90% RH, 5° to 104°F (-15° to 40°C)   |
| <b>Temperature</b>              | ±0.27°F (±0.14°C)  |
| <b>Hysteresis</b>               | < 2% RH  |
| <b>Supply Voltage</b>           | 0-5 VDC: 10.5 - 35 VDC, 35 mA;<br>12 - 28 VAC, 0.8 VA<br>0-10 VDC: 15 - 35 VDC, 35 mA;<br>15 - 28 VAC, 1.4 VA<br>4-20 mA: 15 to 35 VDC, 60 mA;<br>15 to 28 VAC, 2.6 VA |
| <b>Signal Output</b>            | 4-20 mA, 0-5 VDC, 0-10 VDC   |
| <b>Maximum Output Impedance</b> | 470Ω   |
| <b>Minimum Output Impedance</b> | 5000Ω  |
| <b>Measurement Range</b>        | Humidity: 0-100%   |
| <b>Sensing Technology</b>       | Humidity: Capacitive, HC1000-200<br>Temperature: 1000Ω Platinum (class A, DIN EN 60751)<br>sintered stainless steel filter   |
| <b>Sensor Protection</b>        |  |
| <b>Operating Temperature</b>    |  |
| <b>Non-display</b>              | -40° to 140°F (-40° to 60°C)   |
| <b>With display</b>             | -22° to 140°F (-30° to 60°C)   |
| <b>Display</b>                  | LCD, English units   |
| <b>Enclosure</b>                | Polycarbonate or Aluminum alloy  |
| <b>Enclosure Rating</b>         | NEMA 4 (IP65)  |
| <b>Wiring Terminations</b>      | Screw terminals maximum size wire AWG 16 (1.5 mm2)   |
| <b>Approvals</b>                | CE   |
| <b>Warranty</b>                 | 1 year   |

### WIRING



### DIMENSIONS





# HUMIDITY

## ROOM OR DUCT HUMIDITY, TEMPERATURE, DEW POINT TRANSMITTER EE23 SERIES

### ORDERING INFORMATION

| MODEL                                | DESCRIPTION   |
|--------------------------------------|---|
| EE23                                 | Humidity and temperature transmitter, 8 to 35 VDC, 12 to 30 VAC |
| <b>HOUSING</b>                       |   |
| <b>M</b>                             | Humidity and temperature transmitter with metal housing         |
| <b>P</b>                             | Humidity and temperature transmitter with polycarbonate housing |
| <b>APPLICATION</b>                   |   |
| <b>A</b>                             | Wall mount  |
| <b>B</b>                             | Duct mount  |
| <b>PROBE LENGTH (MODEL "B" ONLY)</b> |   |
| <b>5</b>                             | Duct probe length, 7.9" (20.0 cm)                               |
| <b>6</b>                             | Duct probe length, 15.8" (40.0 cm)                              |
| <b>DISPLAY</b>                       |   |
| -                                    | No display  |
| <b>D</b>                             | LCD display   |
| <b>ALARM OUTPUT</b>                  |   |
| -                                    | No alarm relay  |
| <b>S</b>                             | With alarm relay  |
| <b>AB</b>                            | RH and temperature  |
| <b>OUTPUT</b>                        |   |
| <b>2</b>                             | 0-5 VDC   |
| <b>3</b>                             | 0-10 VDC  |
| <b>6</b>                             | 4-20 mA   |
| <b>RANGE FOR TEMPERATURE</b>         |   |
| <b>05</b>                            | 0° to 100°F (-17° to 37.8°C)                                    |
| <b>10</b>                            | -20° to 120°F (-28.9° to 48.9°C)                                |
| <b>12</b>                            | -40° to 120°F (-40° to 48.9°C)                                  |
| <b>15</b>                            | 20° to 120°F (-6.7° to 48.9°C)                                  |

|      |   |   |    |   |   |    |   |    |
|------|---|---|----|---|---|----|---|----|
| EE23 | P | B | 6X | D | S | AB | 2 | 12 |
|------|---|---|----|---|---|----|---|----|

**Example:** EE223PB6DSAB212 EE23 duct humidity and temperature transmitter with plastic case, 15.8" (40.0 cm) probe, LCD display, 0-5 VDC outputs for RH and temperature (0-100%; -40° to 120°F (-40° to 120°C))

**DCP-1.5-W**  
**DCPA-1.2**  
**691-K0A**  
**HA010502**  
**HA010502**

#### RELATED PRODUCTS

Power supply, 24 VAC IN to 24 VDC OUT  
 Power supply, 120 VAC IN to 24 VAC/24 VDC OUT  
 Control transformer, 120:24 VAC, 40 VA, Class 2  
 EE23/EE31 Radiation Shield  
 1/2" conduit connector

**PAGE**  
**995**  
**994**  
**979**